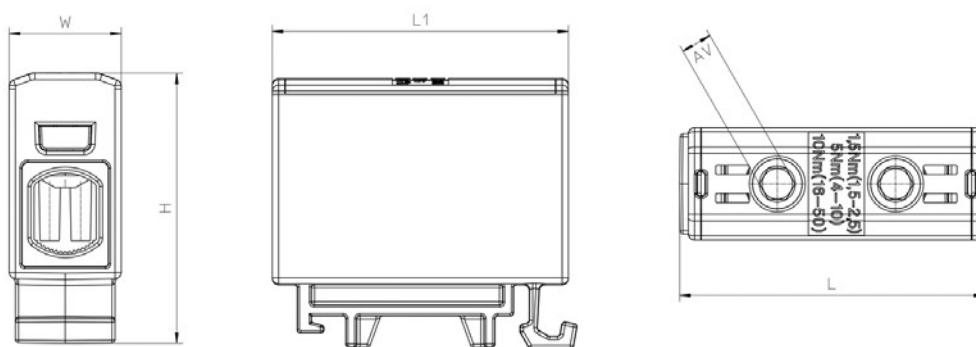


Insulated universal connector - OTL-series



OTL-connectors 1xAl/Cu 1,5-50 mm²

DIN-rail mounting



STK code	Product code	Color	Conductor (mm ²)	Un (V)	In (A)	Tightening torque	L (mm)	L1 (mm)	H (mm)	W (mm)	AV (mm)	Weight (g)	Package (pcs)
19 141 00	VC05-0010	Grey	1xAl/Cu 1,5-16	1000	82 (Cu)/ 75 (Al)	1,5 Nm (1,5 mm ²), 3,5 Nm (2,5-6 mm ²), 7 Nm (10-16 mm ²)	45	42	39,5	13,5	4	17	30
19 141 01	VC05-0001	Blue											
19 141 02	VC05-0045	Yellow / Green											
19 120 10	VC05-0140	Red											
19 120 14	VC05-0141	Black											
19 120 59	VC05-0191	Grey	1xAl/Cu 2,5-35	1000	135 (Cu)/ 120 (Al)	3 Nm (2,5-16 mm ²), 6 Nm (25-35 mm ²)	45	45	40	16	4	27	30
19 120 60	VC05-0192	Blue											
19 120 61	VC05-0193	Yellow / Green											
19 141 03	VC05-0013	Grey	1xAl/Cu 1,5-50	1000	160 (Cu)/ 145 (Al)	1,5 Nm (1,5-2,5 mm ²), 5 Nm (4-10 mm ²), 10 Nm (16-50 mm ²)	50	48	43	18	5	31	50
19 141 04	VC05-0046	Blue											30
19 141 05	VC05-0047	Yellow / Green											30
19 120 24	VC05-0142	Red											30
19 120 25	VC05-0143	Black											30