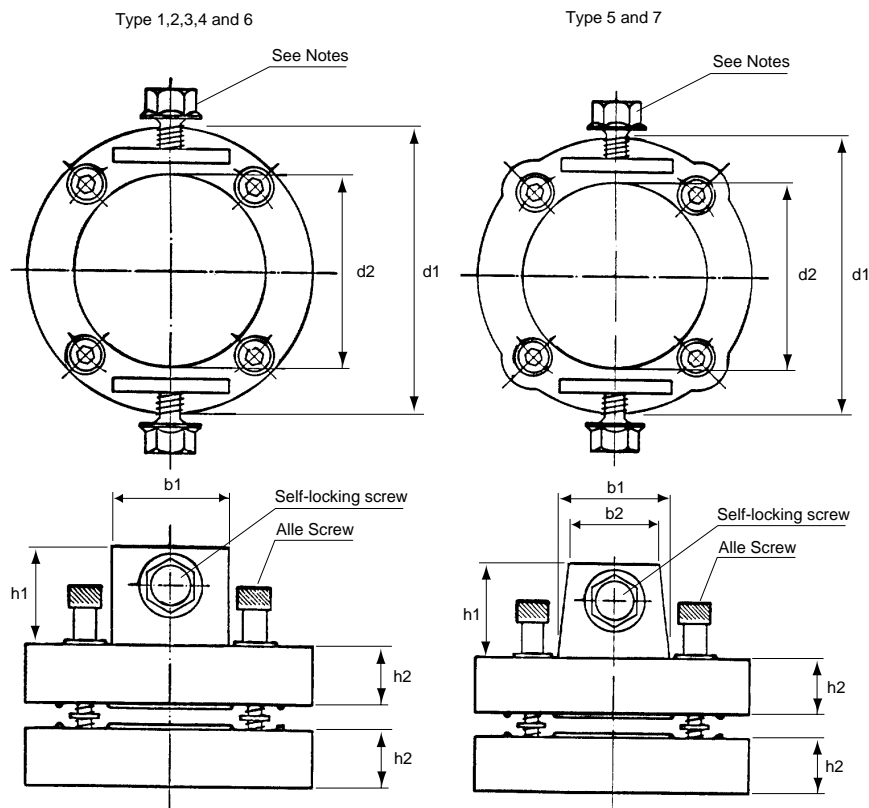


**Typical Application**

EPPA 022 is a corrosion-resistant armour clamping ring assembly. It is used to obtain a reliable connection between the steel wire armour and the earth conductor. The clamping ring assembly is normally used as an integral part of Raychem Cable Joints.

Rings: Pressure diecast aluminium (corrosion-resistant alloy).

Screws and Washers: Hot-dip zinc-plated.

**Products and Dimensions**

Part No.	b1	b2	d1	d2	h1	h2	Self-locking Screw	Allen Screw
EPPA 022-1	15	-	40	20	20	20	M4	M4
EPPA 022-2	20	-	52	32	20	10	M5	M5
EPPA 022-3	30	-	74	50	25	15	M8	M6
EPPA 022-4	30	-	100	67	25	15	M10	M6
EPPA 022-5	30	25	116	86	25	20	M10	M8
EPPA 022-6	30	-	150	110	30	20	M10	M8
EPPA 022-7	30	25	122	94	25	22	M10	M8

**Printing and Packaging**

Each clamping ring assembly, consisting of an inner and an outer ring, 4 allen screws and 1 key, 4 screw retaining washers, 1 self-locking screw (types -4 -5 - 6 and -7 have 2 self-locking screws) and 4 washers, is packed in bubble packaging, labelled with quantity and part number and included in Raychem Kits.